

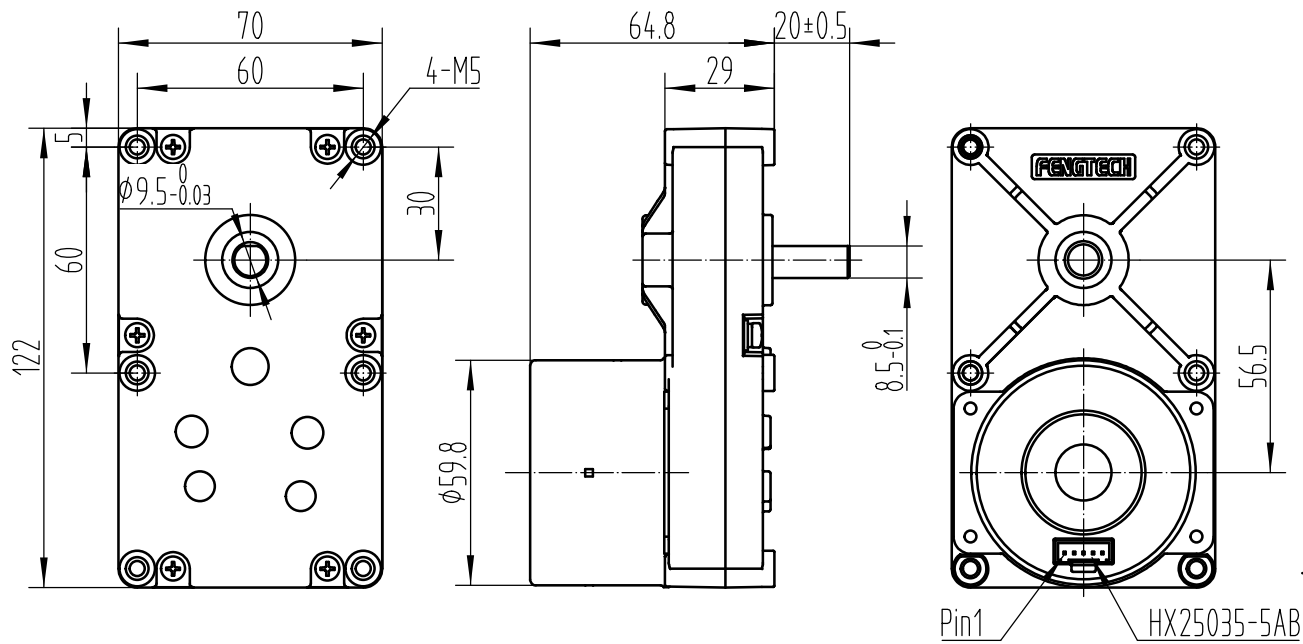
1. 额定参数 RATED CHARACTERISTICS			
NO.	ITEM	SPECIFICATION	REMARK
1.1	工作电压 Operating Voltage	18~26 VDC	Rated 24V
1.2	额定转速 Rated Speed	4.0 RPM ±5%	
1.3	额定转矩 Rated Torque	100 kgf.cm	
1.4	额定电流 Rated Current	0.45 A	
1.5	旋转方向 Rotation	Bi-directional	

2. 电气参数 ELECTRICAL CHARACTERISTICS			
2.1	空载功率 No-load Power	4.0 W	Rated Voltage 25°C
2.2	空载电流 No-load Current	0.15 A	
2.3	空载转速 No-load Speed	4.8 RPM ±5%	
2.4	最大转矩 Max Torque	250 kgf.cm	
2.5	最大电流 Max Current	1.0 A	
2.6	绝缘等级 Insulation Class	Class E	
2.7	绝缘电阻 Insulation Res.	100M ohm min	

3. 机械参数 MECHANICAL CHARACTERISTICS			
3.1	外形尺寸 Outline Dimension	As Outline Drawing	
3.2	噪音 Noise(1m)	50 dB(A) max	
3.3	轴向游隙 Axial Play	0.5mm max	

4. 工作条件 OPERATING CONDITIONS			
4.1	环境温度 Operational Temp.	-20~60 °C	
4.2	环境湿度 Operational Humidity	10~90%RH	No Condensation

5. WIRING DIAGRAM			
PIN	COLOR	SYMBOL	DESCRIPTION
1	Red	VCC	+24V Power Supply Input
2	Yellow	Vsp	Speed Control Input, 0~10V Analog signal • <0.5V: Motor Stop • 10V: Full Speed
3	Green	CW/CCW	Direction of Rotation Control • Connect to GND: CCW ★ DO NOT connect to VCC • Left if Open: CW
4	White	FG_OUT	Rotation Speed Output • 9 pulse output per ROTOR rotation • This pin is open-drain, EXTERNAL pull-up resistor is needed if Pin used.
5	Black	GND	Ground Input



NOTE
 1. BUILT-IN DRIVER.
 2. OVER CURRENT PROTECTION.
 3. THERMAL PROTECTION.

GENERAL TOLERANCES (UNLESS SPECIFIED)		DIMENSIONS: X ±0.15 .XX ±0.05		MATERIAL/SPEC.					
FIRST ANGLE PROJECTION		ANGLES: ±1°		FA2-BL60 DC24V 4.8RPM					TITLE Product Specifications
DRAWN BY Feigoo		DATE 2019/08/27		REVISION		QTY		WEIGHT	SCALE 1:2
CHECKED BY		APPROVED BY		SIZE A4		SHEET No.		OF	
								DRAWING No. C01810X	