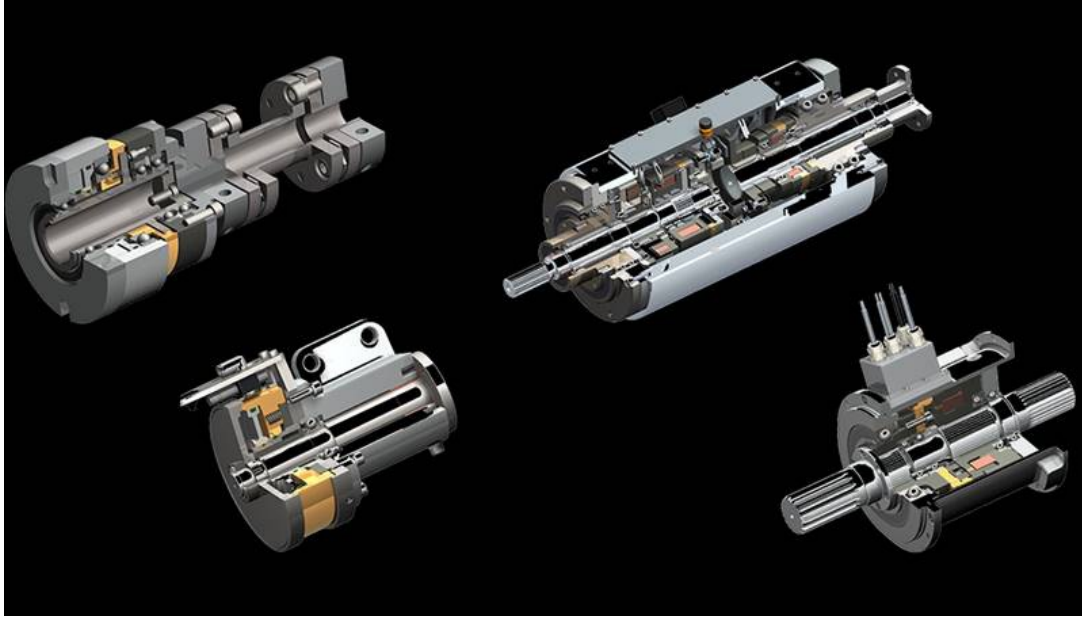


Mnninghoff

Garanti: 12 ay
Bu rne ait Trkiye ii kapı teslim fiyat ve teslim sresi ieren teklifimizi almak iin info@yursat.com.tr e-posta adresine baŐvuru yapabilir ya da ayrıntılı bilgi iin +90 224 240 03 04 numaralı telefonumuzdan bizlere ulaŐabilirsiniz.
Mnninghoff Markası, tedarik sresi iin ltfen bizimle iletiŐime geiniz.

Firmamız Mnninghoff Trkiye Distribtr veya temsilcisi deĐildir. Firmamız sipariŐ durumunda, belirtilen rnlerde sadece Orjinal ve yeni rn teklifi sunmaktadır. Bu sitede gsterilen zel marka adları ve ticari markalar ilgili sahiplerinin mlkiyetindedir, talep durumunda kaldırılmaktadır.



rn	Aıklama
Servoflex328.16	
549.21.3.4	
24.0.0552-01.003	
313.32.2.1	
31332	
313-32 BORE A 30	
31505-06020 C	
318.25.4.1	
328.08.4.4	
521.32.1.1	
546.12.1.SO	
546.12.3.24 Vdc	
546.15.3	
546.15.4.5	
546.21.4.5 - SO	
546.23.4.5-40	

546.25.3.5 (664230)	
546.31.3	
546.31.3.4	
550.15.1.5 (550.15.1.5)	
660134	
660160	
660269	
660801	
661655	
662293	
663647	M¼nninghoff disc + clamping set Type 314.55.3.2 - 1.4021 Drawing: 31455-06026 C Packaging unit consisting of: 1 x flange hub 1 x clamping set 8 x screw M8 x 40 ISO 4014 Geomet 500 Conical surfaces lubricated with Molykote
664899	
665115	
665259	
665633	
665633 546.25.4.5	
666261	
666475 (546.25.4.5)	
667455	
669583	
670185	
671007	
671527	
672105	
672377 (Typ 546.25.5.5)	
SA.109.1331/06	
TYP 313 SIZE 32	
Typ 546.12.1.5	
546.21.3.5-SO/24Vdc/27W	Electomagnetic Denture Cluch Kaplin Proje kodu: 122Y04
300259	Group magnetic part 546.21.3 24 Vdc - 27 Watt - wire 500 mm - RKL Drawing: 54621-11103
665175	Type 550.23.1.5 Drawing: 55023-01015 C Rated torque: 350 Nm Tooth shape: Normal Connection voltage: 24 Vdc / 40 watts Bore d = 30 H7, groove according to DIN 6885/1
577.21-SO /180 Nm	
662298	M¼nninghoff tooth coupling Type 546.23.3.5 Drawing: 54623-01035 C Rated torque: 250 Nm Tooth shape: Normal Connection voltage: 24 Vdc /

	36 watts Bore d = 40 H7, groove according to DIN 6885/1
665175	M¼nninghoff tooth coupling Type 550.23.1.5 Drawing: 55023-01015 C Rated torque: 350 Nm Tooth shape: Normal Connection voltage: 24 Vdc / 40 watts Bore d = 30 H7, groove n.
ex328	
660782	M¼nninghoff ServoFlex coupling type 328.16.4.4 Drawing: 32816-02044 Nominal torque: 6 Nm bore d = 15 H7 bore d1 = 15 H7
AP13520P	
300056	Group Magnetic Part 546.13.3 24 Vdc - 18.7 Watt - wire 500 mm - with RKL - signed Drawing: 54613-11103 C
Typ 546.21.3.7 - SO - Md = 080-090 Nm	662301 M¼nninghoff gear coupling Type 546.21.3.7 - SO - Md = 080-090 Nm Drawing: 54621-06041 C Rated torque: 80-90 Nm (PPK2) 6 test positions - offset by 60° Tooth shape: Saw right - 42 positions - backlash-free (SR25/75T42) Connection voltage: 24 Vdc / 27 watts Group of magnetic parts according to drawing 54621-16094 Bore d = 35 H7, groove according to DIN 6885/2
549.21.3 24 V DC	
666521	M¼nninghoff gear coupling Type 546.12.3.5 - 22 Vdc - 2000 mm stranded wire Drawing: 54612-06022 C Rated torque: 17.5 Nm Tooth shape: Normal - 1 fixed point (N01) - backlash-free Bore d = 12 H7, groove according to DIN 6885/1 Connection voltage: 22 Vdc / 13 Watts Length of connecting wires L = 2000 mm
665175 55023-01015s / Zahnkup	
Typ 560.25.4.4	M¼nninghoff tooth holding brake Type 560.25.4.4 Drawing no .: 56025- 01044 C Nominal torque: 600 Nm Tooth shape: Normal Connection voltage: 24 Vdc / 56 watts Stat. Product No .: 85052000
Typ 546.23.3.5	Art nr 662298 M¼nninghoff gear coupling Type 546.23.3.5 Drawing no .: 54623-01035 C Nominal torque: 250 Nm Tooth shape: Normal Supply voltage: 24 Vdc / 36 watts Bore d = 40 H7, groove n. DIN 6885/1 Stat. Product No .: 85052000
Typ 550.25.1.0	